

Stock Code:603066

**inform 音飞**  
Intelligent Storage Solution

# RACK PRODUCT CATALOGUE 2016



Nanjing Inform Storage Equipment CO.,LTD  
Nanjing Inform Racking Manufacturing Co.,LTD  
Address: No.470 Yinhua Street, Jiangning District, Nanjing City, China 211102  
Tel: +86-25 52726370  
Email: jason@informrack.com  
Mobile: +86-13851666936

 NANJING INFORM STORAGE EQUIPMENT CO.,LTD  
NANJING INFORM RACKING MANUFACTURING CO.,LTD



# CONTENTS

- 
- 01 / 04 Company Introduction
  - 05 Boltless Shelving
  - 06 Medium Duty Longspan Shelving
  - 07 / 08 Selective Pallet Racking
  - 09 / 10 Multi-tier Racking / Mezzanine
  - 11 Shuttle Racking
  - 12 Drive-in Racking
  - 13 Push Back Racking
  - 14 Cantilever Racking
  - 15 Carton Flow Racking
  - 16 Logistic Equipment



# Company Introduction

Nanjing Inform Storage Equipment Co.,LTD (Stock Code:603066) was successfully to be a public company of Shanghai A Shares on 11th, June, 2015.

INFORM is focused on the various kinds of precious racking and intelligence robots for automatic storage & the cloud softer ware system, offering customers the intelligent storage solutions with "Robot & Racking" to meet the different requirements throughout the production & storage processes.

There are 4 factories in our company, and we spent heavily to import the most advanced full-automatic racking production lines in the world, it is symbolized the top level technology and equipments of the racking.

The products are sold to domestic and overseas, we have been completed more than 10,000 warehouses, the products are widely used in various industries.

INFORM always insists integration of Industry-Academia-Research with an advanced R & D team to offer the professional intelligent storage solutions. We have 41 patents and 14 software copyrights, 3 products are regards as the High-Tech of Jiangsu Province, leading to participate in 6 items of national standard, 13 items of industrial standard, and publishing 3books for racking industry.

INFORM is continuously guided with the core value of "Passion, Innovation, Harmonious" to outlook the industry tendency and explore the industry needs, injecting new vitality to the storage industry by technology innovation and model innovation.

# Recognition

- ISO 14001 Certificate
- ISO 9001 Certificate
- CE for Automatic equipments
- CE for Racking
- China Top Brand
- BV Certificate
- National innovation company
- China well-known trademark

- 41 Patents
- 6 National Standards
- 13 Industry Standards
- 3 industry Books publication





# Factory

- Nanjing 1# factory, 40020 m<sup>2</sup>
- Nanjing 2# factory, 74000 m<sup>2</sup>
- Tianjin 3# factory, 27000 m<sup>2</sup>
- Chongqing 4# factory, 37000 m<sup>2</sup>



# Manufacturing



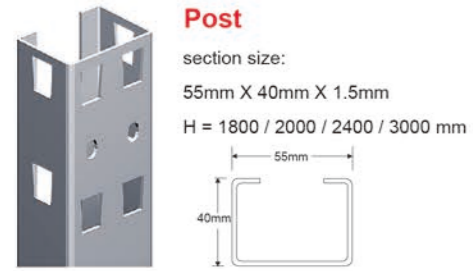
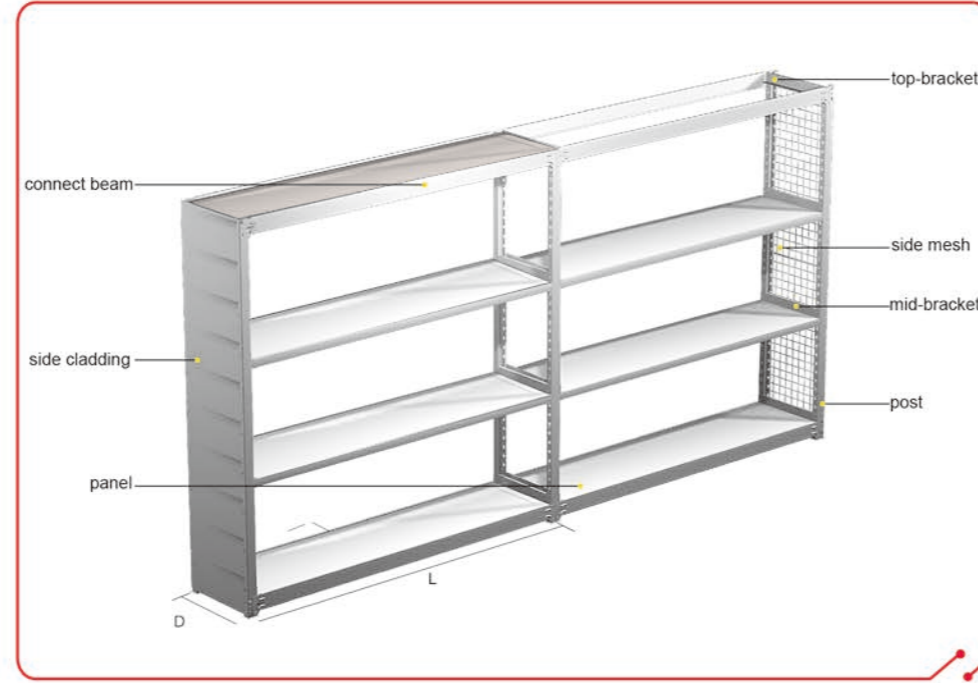
- **Quality stem from sophisticated equipments :**  
 INFORM has made huge investment by importing fully automatic racking manufacturing lines from Europe, which guarantee high precision, length tolerance 1mm/15m, dimensional tolerance within  $\pm 0.2\text{mm}$
- **Quality stem from scientific Management :**  
 adopt ERP management system, realize purchase, production information in stream line



# Boltless Shelving

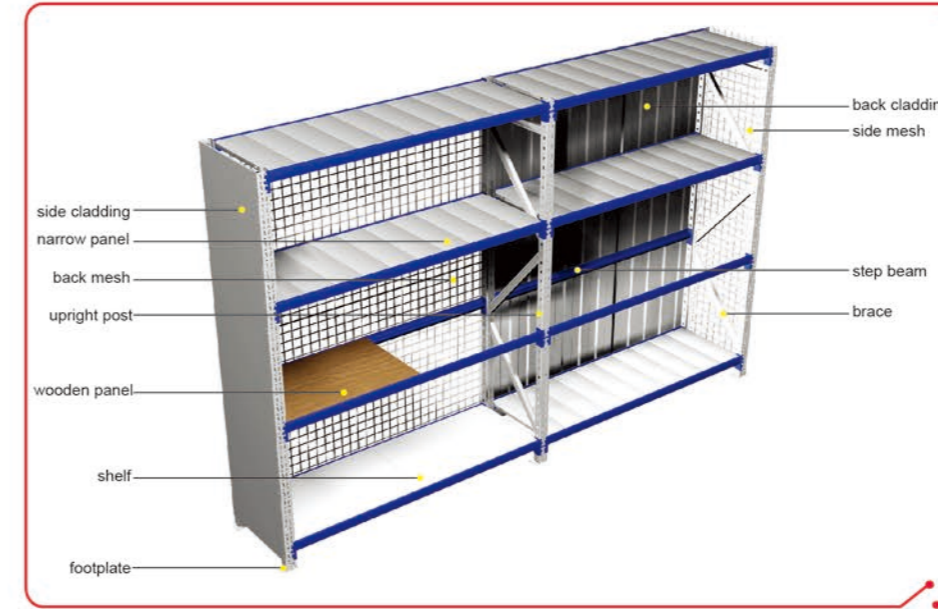
- Boltless shelving consists of posts, connect beams, top brackets, middle brackets and panels.
- For manual loading and unloading
- Loading capacity 200-400Kg/level
- Standard size and load capacity

Length	Depth			
	400MM	450MM	500MM	600MM
1200mm	300KG	300KG	300KG	300KG
1500mm	250KG	250KG	250KG	250KG
1800mm	200KG	200KG	200KG	200KG



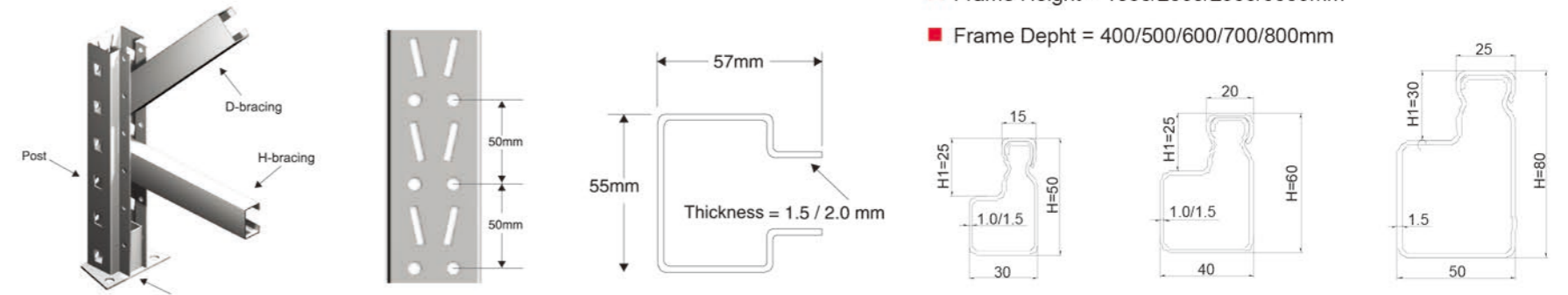
# Medium Duty Longspan Shelving

- Longspan shelving consists of frames, beams and panels.
- For manual loading and unloading
- Loading capacity 200-800Kg/level
- It can be used in multi-tier shelving
- Step beam



Item	Section size mm	Length of Beam						
		1000mm	1200mm	1500mm	1800mm	2000mm	2400mm	2700mm
Step beam	50x30x1.0	607	492	315	219	177	123	97
	50x30x1.5	800	706	452	314	254	176	139
	60x40x1.0	800	800	607	422	341	237	187
	60x40x1.5	800	800	800	612	495	344	272
	80x50x1.5	1000	1000	1000	1000	1000	808	639

- Frame Height = 1800/2000/2500/3000mm
- Frame Depth = 400/500/600/700/800mm

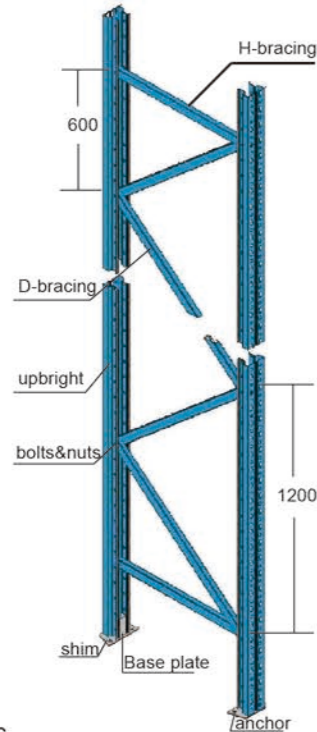
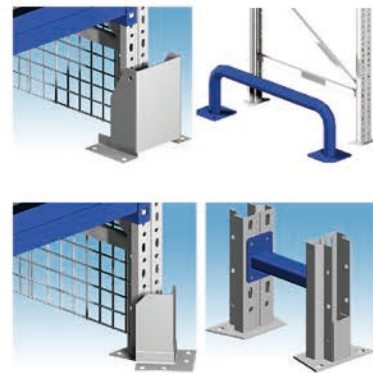




# Selective Pallet Racking

- Selective pallet racking consists of frames, beams and some accessories.
- Load capacity 2000kg -- 4000kg / level
- Working with forklifts

## Accessories

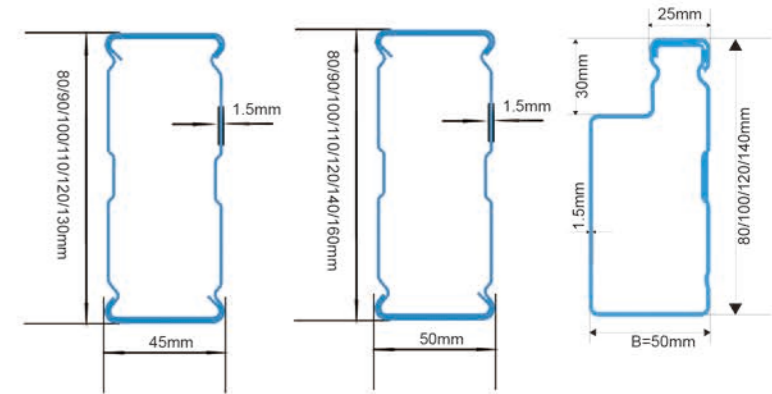


# Selective Pallet Racking

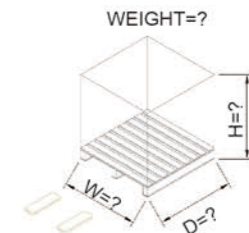
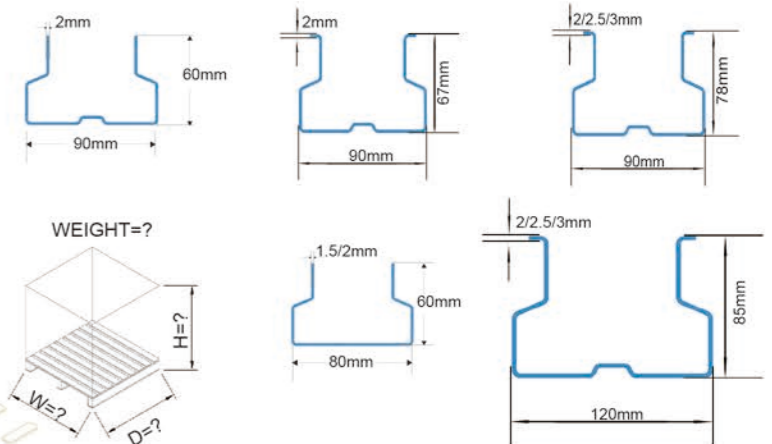
## Load capacity chart of beams for SPR

Item	Profile (mm)	Length of Beam								
		1800mm	2000mm	2300mm	2400mm	2500mm	2700mm	3000mm	3300mm	
<b>Box beam 40</b>	80x40x1.5	1936kg	1743kg	1478kg	1358kg	1251kg	1073kg	869kg	718kg	
<b>Box beam 45</b>	80x45x1.5	2112kg	1901kg	1613kg	1481kg	1365kg	1170kg	948kg	783kg	
	90x45x1.5	2478kg	2230kg	1939kg	1859kg	1784kg	1544kg	1251kg	1034kg	
	100x45x1.5	2860kg	2574kg	2238kg	2145kg	2059kg	1907kg	1605kg	1326kg	
	110x45x1.5	3259kg	2933kg	2551kg	2445kg	2347kg	2173kg	1956kg	1662kg	
	120x45x1.5	3673kg	3306kg	2874kg	2755kg	2645kg	2449kg	2204kg	2003kg	
<b>Box beam 50</b>	130x45x1.5	4000kg	3694kg	3212kg	3078kg	2955kg	2736kg	2462kg	2239kg	
	80x50x1.5	2288kg	2059kg	1747kg	1605kg	1479kg	1268kg	1027kg	849kg	
	90x50x1.5	2678kg	2410kg	2096kg	2008kg	1928kg	1669kg	1352kg	1117kg	
	100x50x1.5	3084kg	2775kg	2413kg	2313kg	2220kg	2056kg	1730kg	1430kg	
	110x50x1.5	3507kg	3156kg	2744kg	2630kg	2525kg	2338kg	2104kg	1788kg	
	120x50x1.5	3946kg	3551kg	3088kg	2959kg	2841kg	2630kg	2367kg	2152kg	
<b>Step beam</b>	140x50x1.5	4000kg	4000kg	3811kg	3652kg	3506kg	3246kg	2922kg	2656kg	
	160x50x1.5	4000kg	4000kg	4000kg	4000kg	4000kg	3905kg	3515kg	3195kg	
	80x50x1.5	1440kg	1296kg	1100kg	1010kg	931kg	798kg	647kg	534kg	
	100x50x1.5	1965kg	1768kg	1538kg	1474kg	1415kg	1310kg	1102kg	911kg	
	120x50x1.5	2573kg	2316kg	2014kg	1930kg	1853kg	1716kg	1544kg	1404kg	
140x50x1.5	3256kg	2931kg	2548kg	2442kg	2344kg	2171kg	1954kg	1776kg		
140x50x2.0	4000kg	3833kg	3333kg	3194kg	3067kg	2839kg	2556kg	2323kg		

## Beam



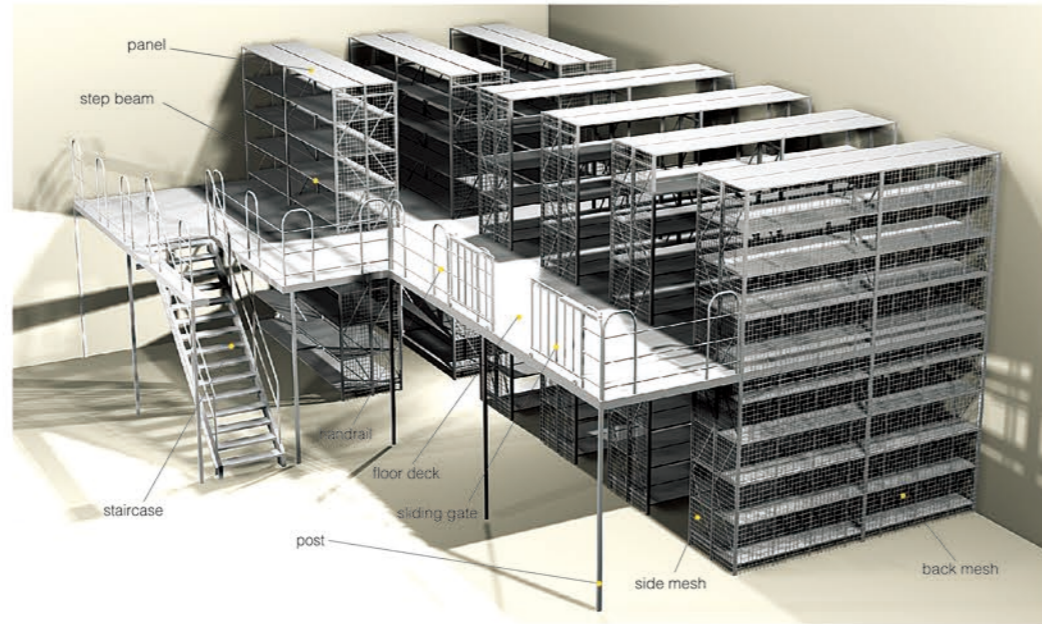
## Upright





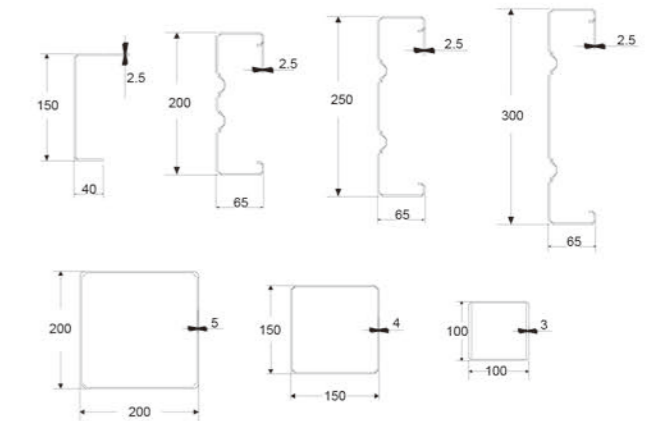
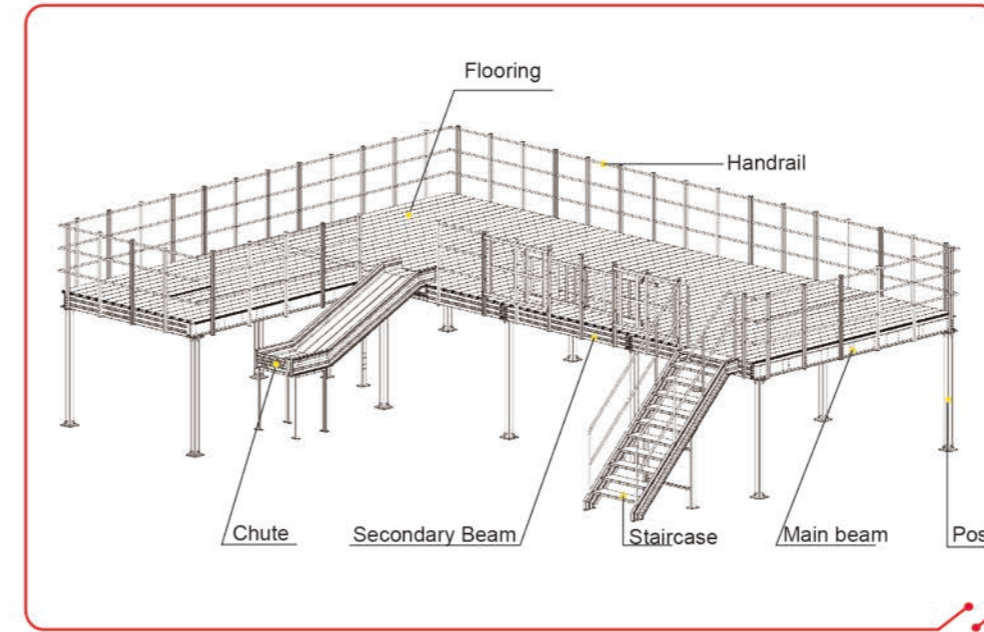
# Multi-tier Shelving

Multi-tier shelving consists of frames, step beams, panels, floorings, handrails, staircases, sliding gates and some accessories.



# Mezzanine

Mezzanine consists of posts, main beams, secondary beams, flooring, staircases, handrails, easily assembled, widely used for bulky or loosened goods, to fully utilize the space in height.



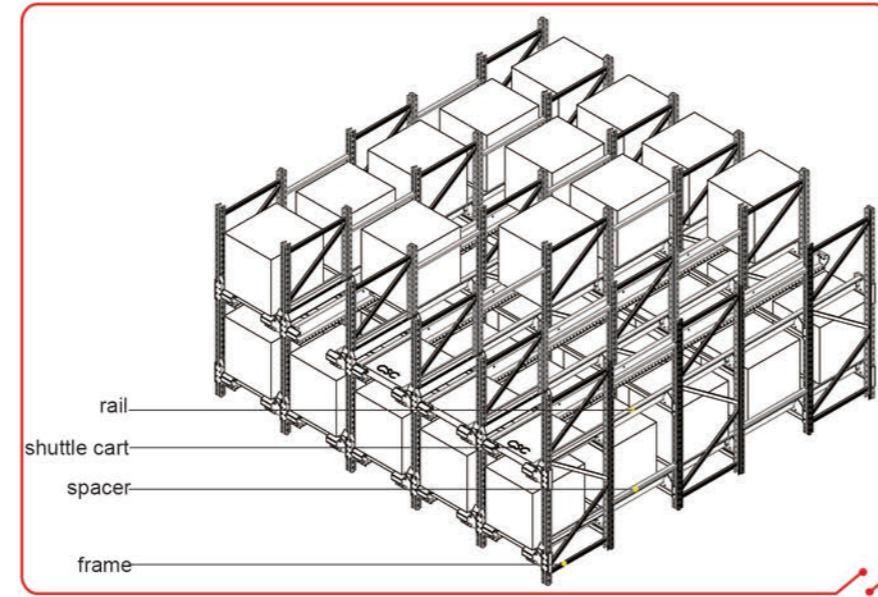


# Shuttle Racking

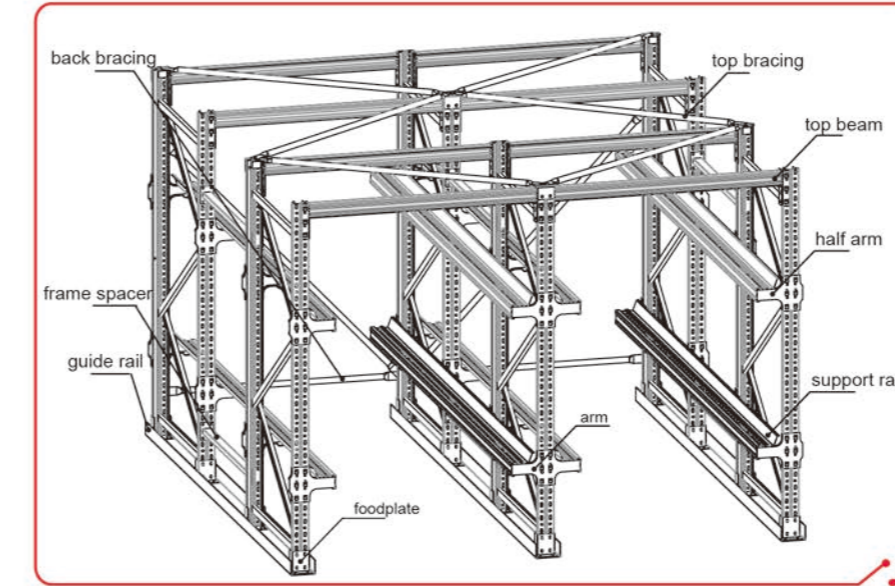
Shuttle racking works with shuttle carts and forklifts. It's a high density storage system.

Advantage is High efficiency, safe, maximize use of warehouse, flexible operation, first in first out( FIFO) and first in last out( FILO).

Such system is suitable for industries like food, chemical, tobacco, beverage, which are with high volume but few types of goods.



# Drive-in Racking



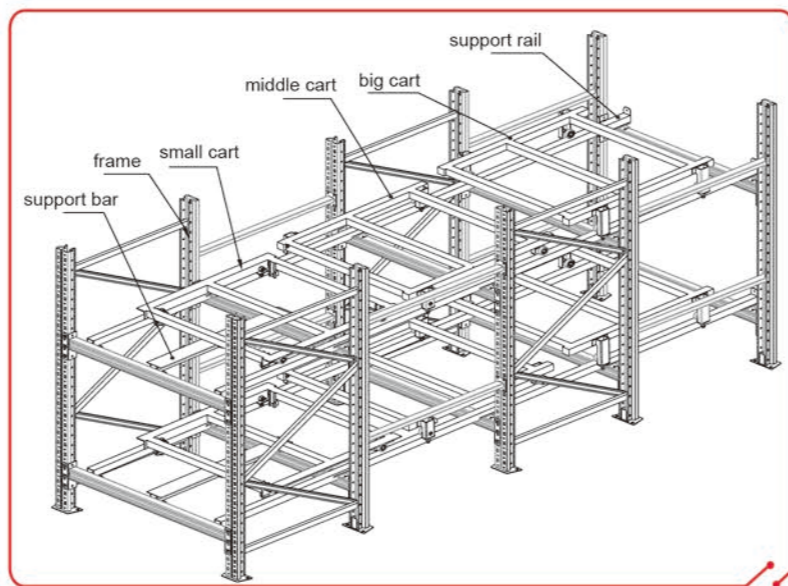
- Drive-in Racking: the forklift need go into the racking structure to load or unload the pallet, after that, the forklift need move back out.
- Advantage: Lower cost. Comparing with selective pallet racking, 80% of storage space will be utilized. Warehouse space utilization rate can be increased by 40%
- It widely used for storage of big batch and less variety with same package. Such as food, tobacco and freezer.





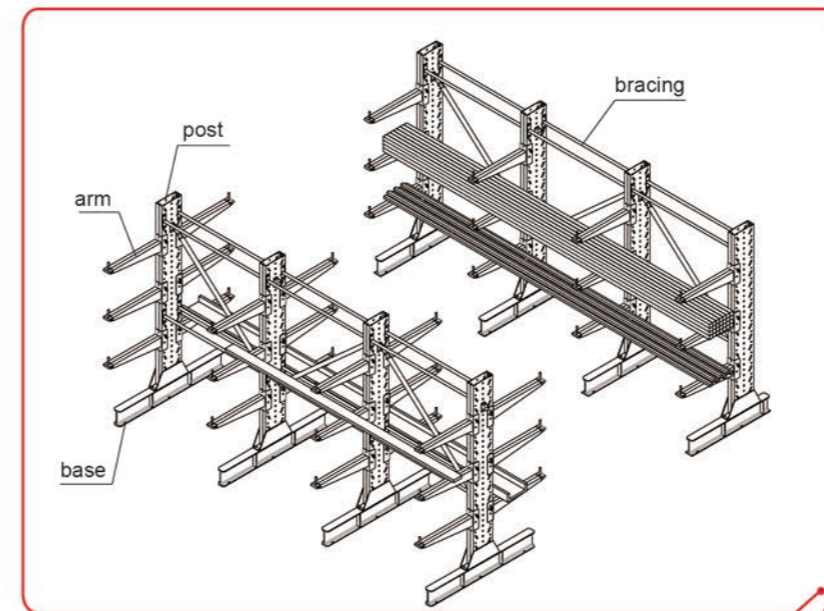
# Push Back Racking

- Push back rack: consists of uprights, beams, support rails, loading cars.
- Comparing with pallet racking, storage capacity increased by 40%;

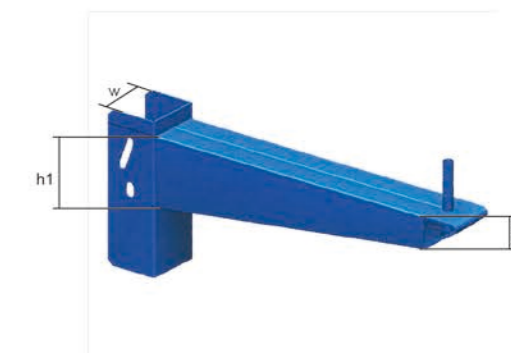


# Cantilever Racking

- Ideal for long and bulky items such as pipes, tubing, timber and furniture.



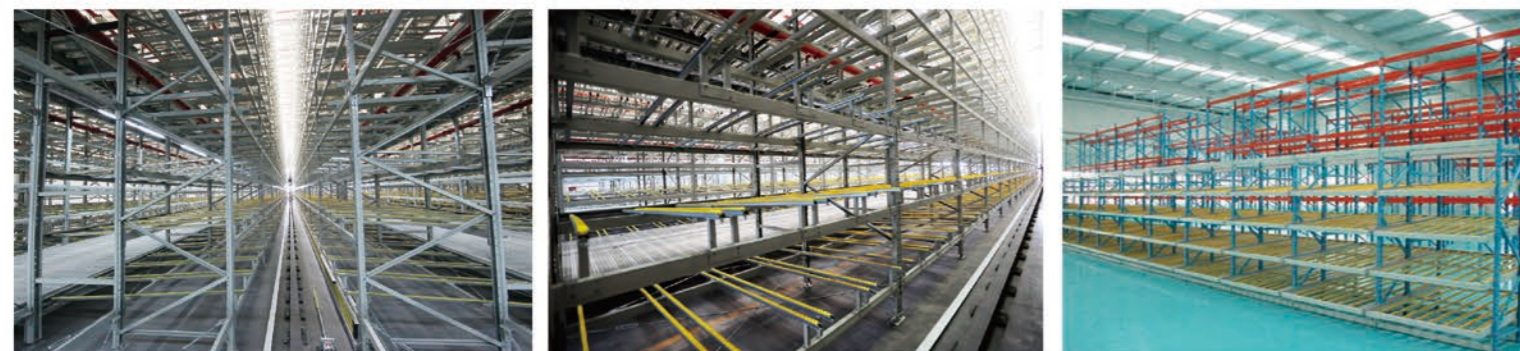
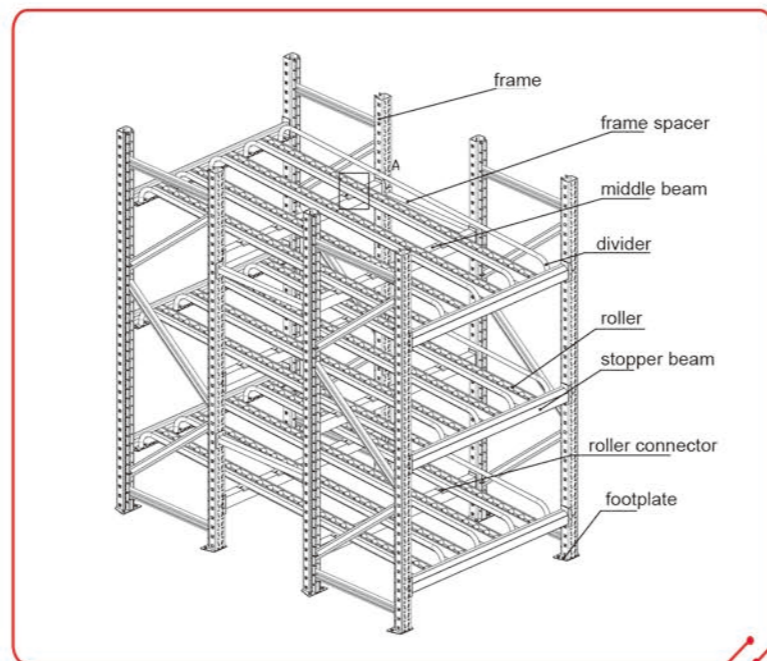
Column to fit	Section size (mm)				Load capacity (kg)							
	h1	h2	w	t	500	600	700	800	900	1000	1100	1200
					Load (kg)	Load (kg)	Load (kg)	Load (kg)	Load (kg)	Load (kg)	Load (kg)	Load (kg)
light duty 150mm	60	55	60	1.5	162	135	116	101	90	81		
	80	55	60	1.5	243	203	174	152	135	122		
medium duty 200mm	100	55	60	2	551	459	393	344	306	275		
	120	55	60	2	710	592	507	444	395	355		
heavy duty 300mm	120	55	90	2	899	749	642	562	500	450	409	375
	140	55	90	2	1107	923	791	592	615	554	503	461
	150	55	90	2	1213	1011	867	758	674	607	551	505
	160	55	90	2		1103	945	827	735	662	601	551
	160	55	90	2.5		1361	1167	1021	908	817	743	681
	180	55	90	2.5		1604	1375	1203	1070	963	875	802
	200	55	90	3						1324	1204	1104
	220	55	90	3						1520	1382	1267





# Carton Flow Racking

- Carton flow rack consists of rollers, frames, beams, rails. Goods move under gravity, from one to the other end on roller.
- Advantage is first in first out(FIFO), lower cost, fast storage speed and high density.
- It is widely used in supermarket, pharmaceutical, chemical and electronics industries



# Logistic Equipments

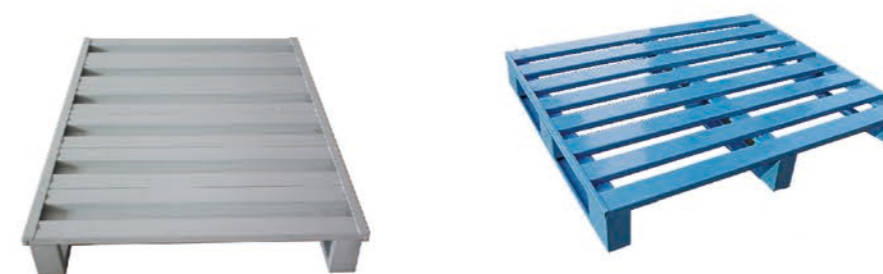
## ■ Foldable Mesh Container



## Standard size and load capacity

code	Size L*W*H(mm)	Wire Diameter(mm)	Grid(mm)	Load Capacity(Kg)
A-5	1000x800x840	6	50x50	1200
B-5	1000x800x840	6.4	50x50	1500
B-5(1/2)	1000x800x500	6.4	50x50	1000
C-5	1000x800x840	4.8	50x50	500
S-5	1000x800x840	6.4	50x100	1000
FS-5	1000x800x840	6	50x100	1000
A-7	1000x800x890	6	50x50	1500
B-7	1200x1000x890	6.4	50x50	2000
S-7	1200x1000x890	6.4	50x100	1000
FS-7	1200x1000x890	6	50x100	1000
A-3	800x600x640	6	50x50	800
C-2	800x500x540	4.8	25x50	500
D-7	1200x1000x890	5	50x50	500

## ■ Steel Pallets



## Standard size and load capacity for steel pallet

w	SIZE		Load Capacity
	D	H	
800	1200	130	1000kg
1000	1200	130	1000kg
1200	1200	130	1000kg
1100	1200	130	1000kg
1100	1000	130	1000kg